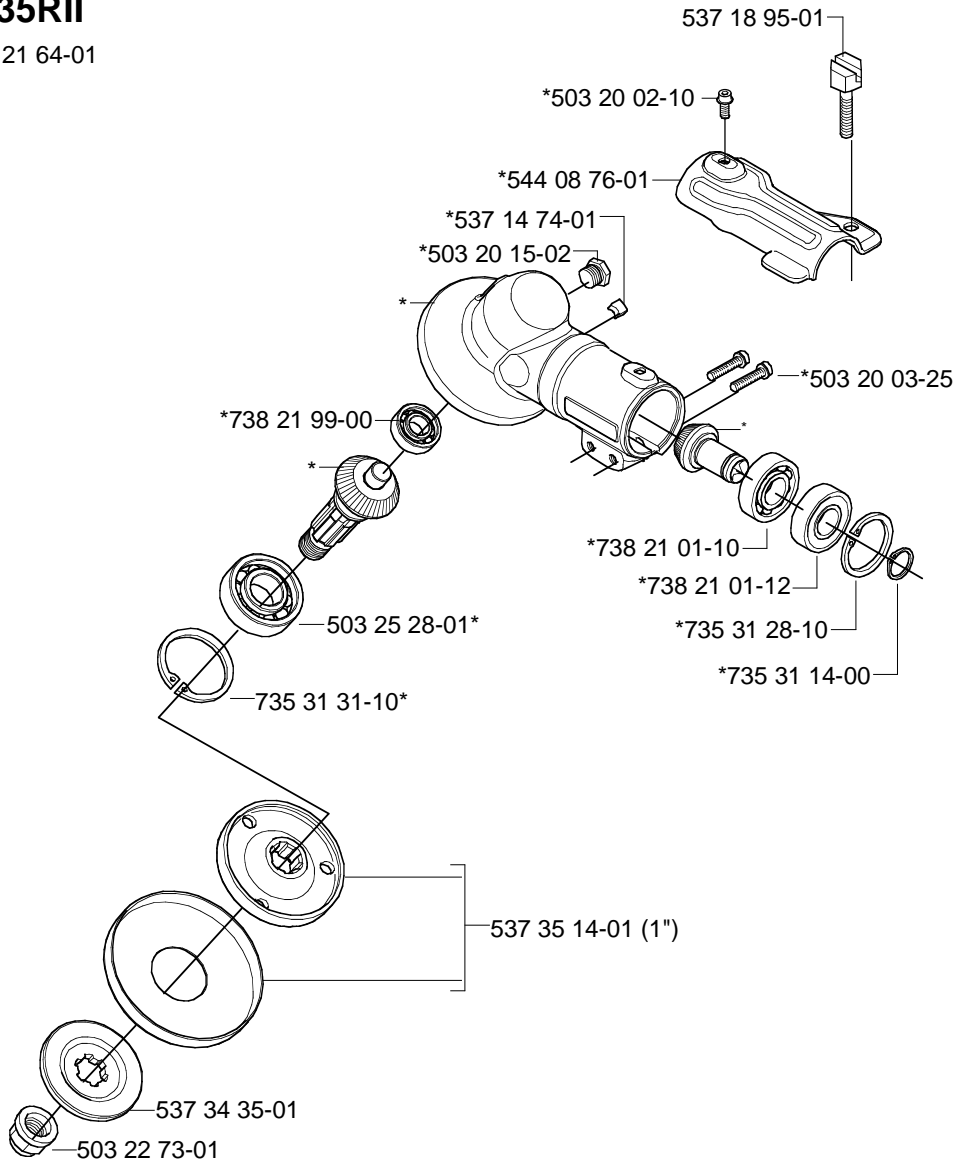


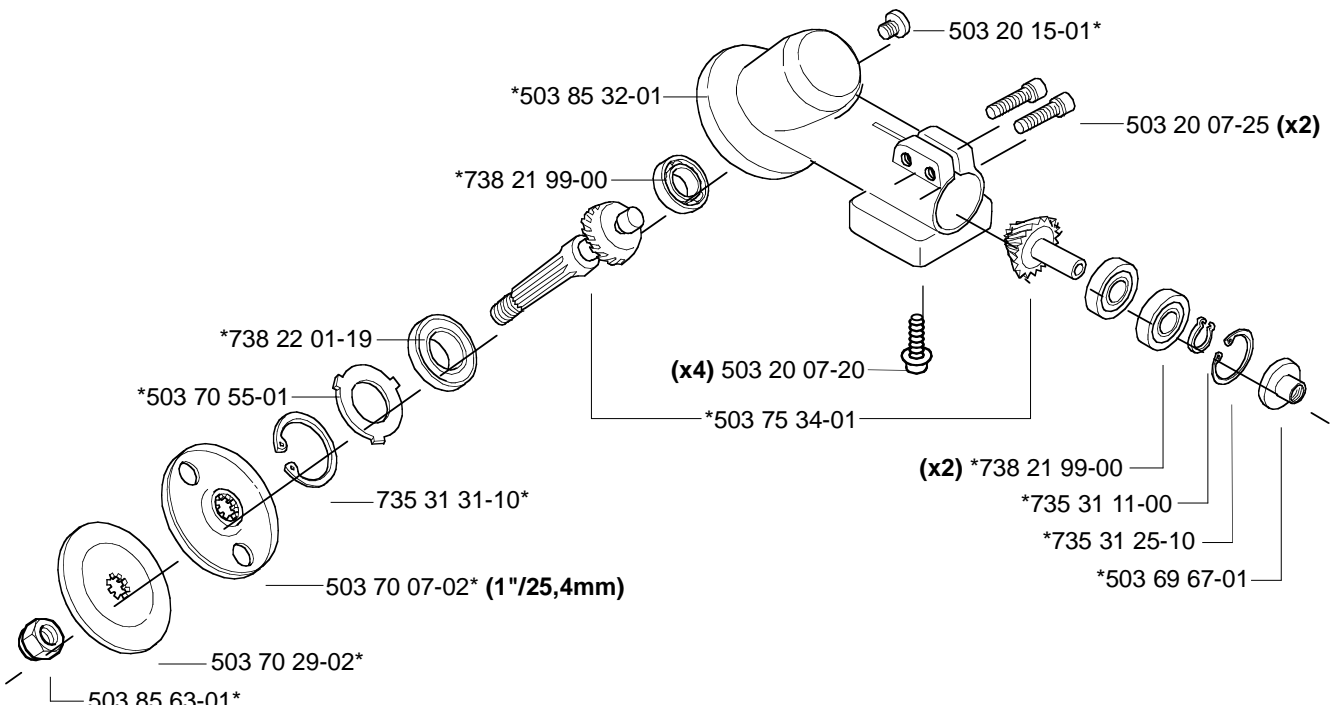
# A 235R, 235RII

\*compl 544 21 64-01

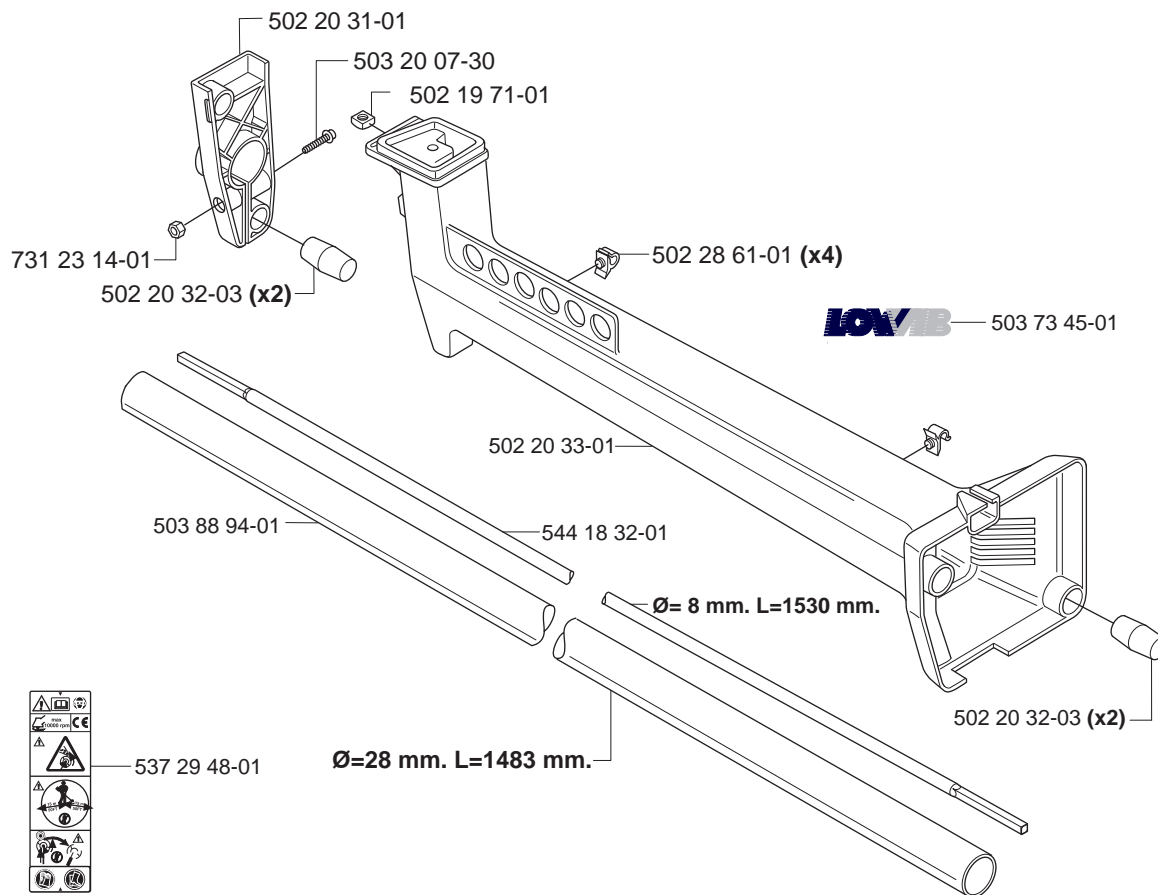


# A 232L, 232R

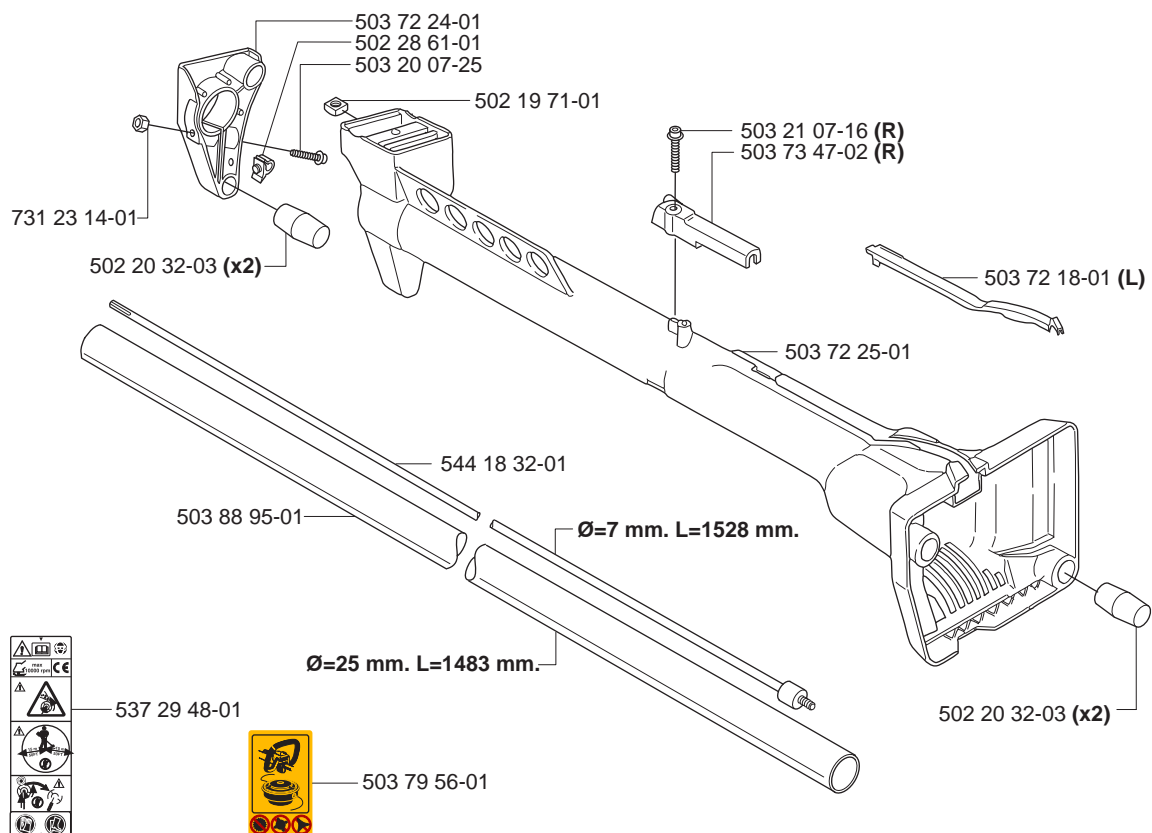
\*compl 502 21 92-08 (1"/25,4mm)



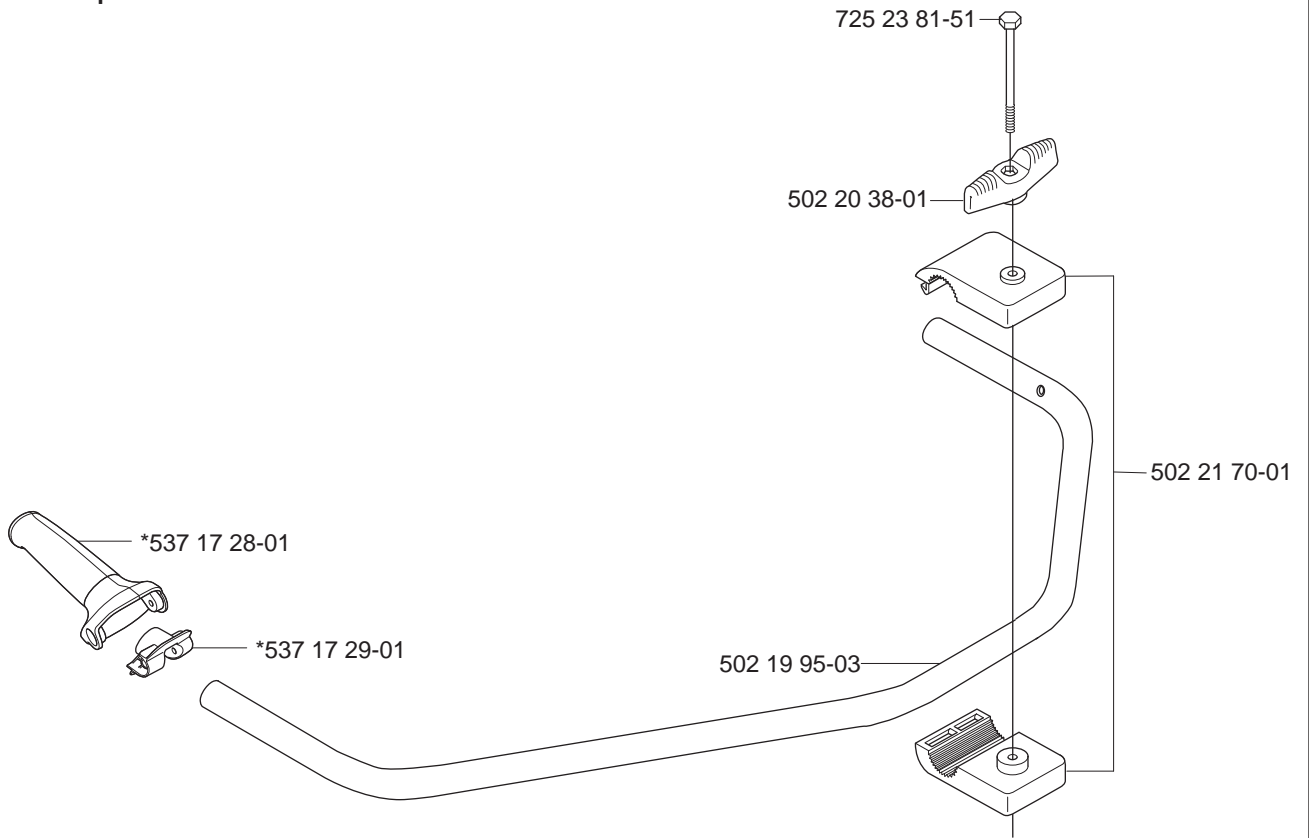
## B 235R, 235RII



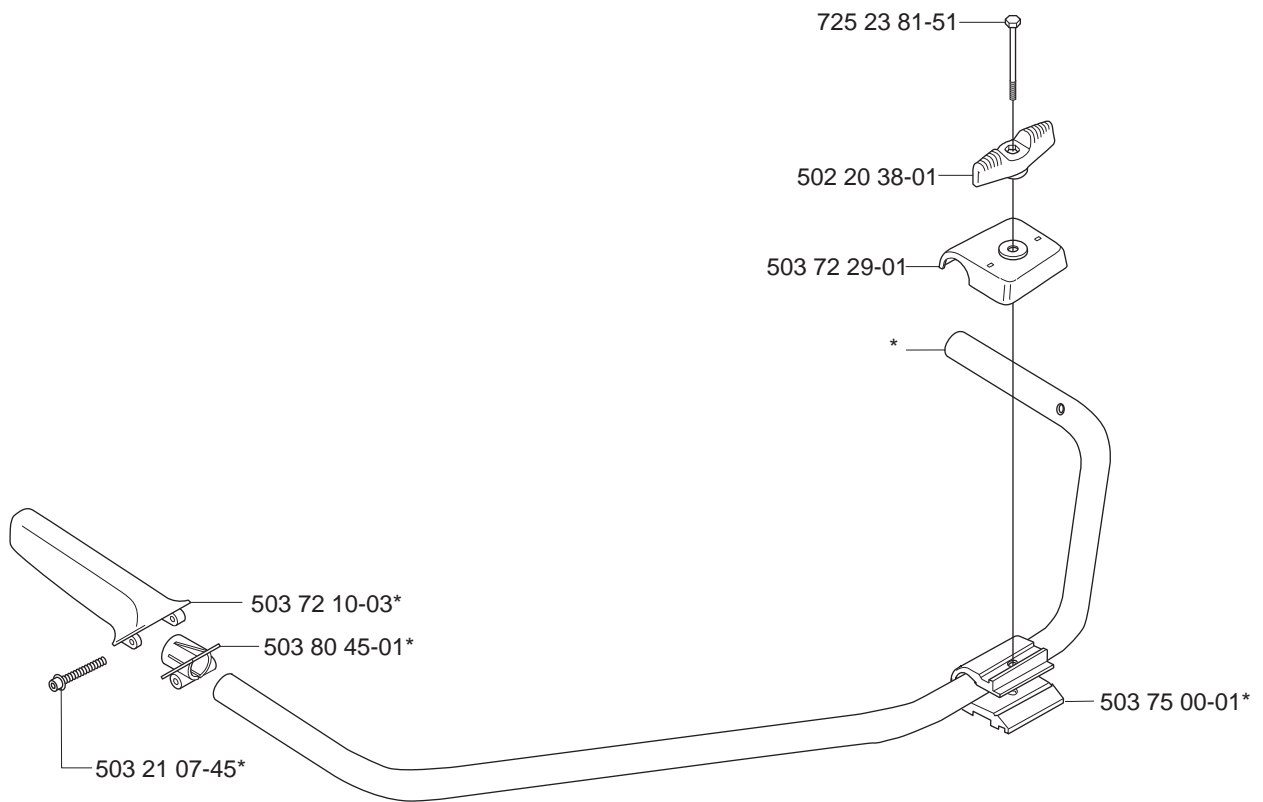
## B 232L, 232R



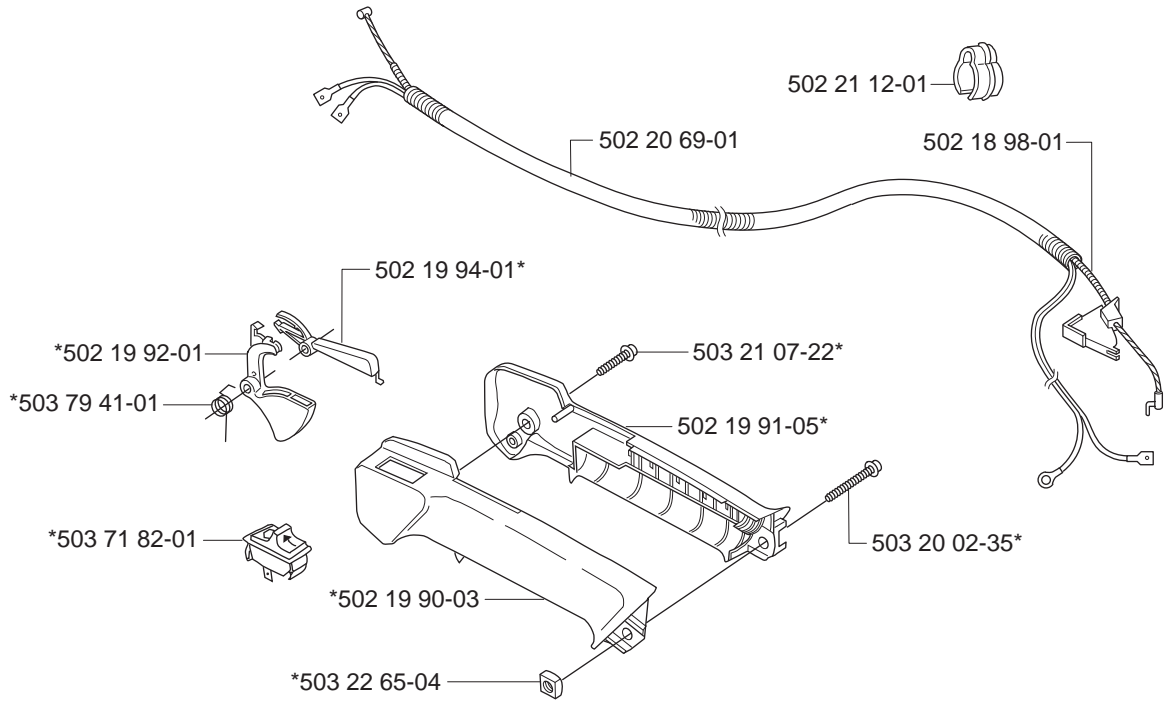
**C 235R, 235RII**  
\*compl 503 72 43-11



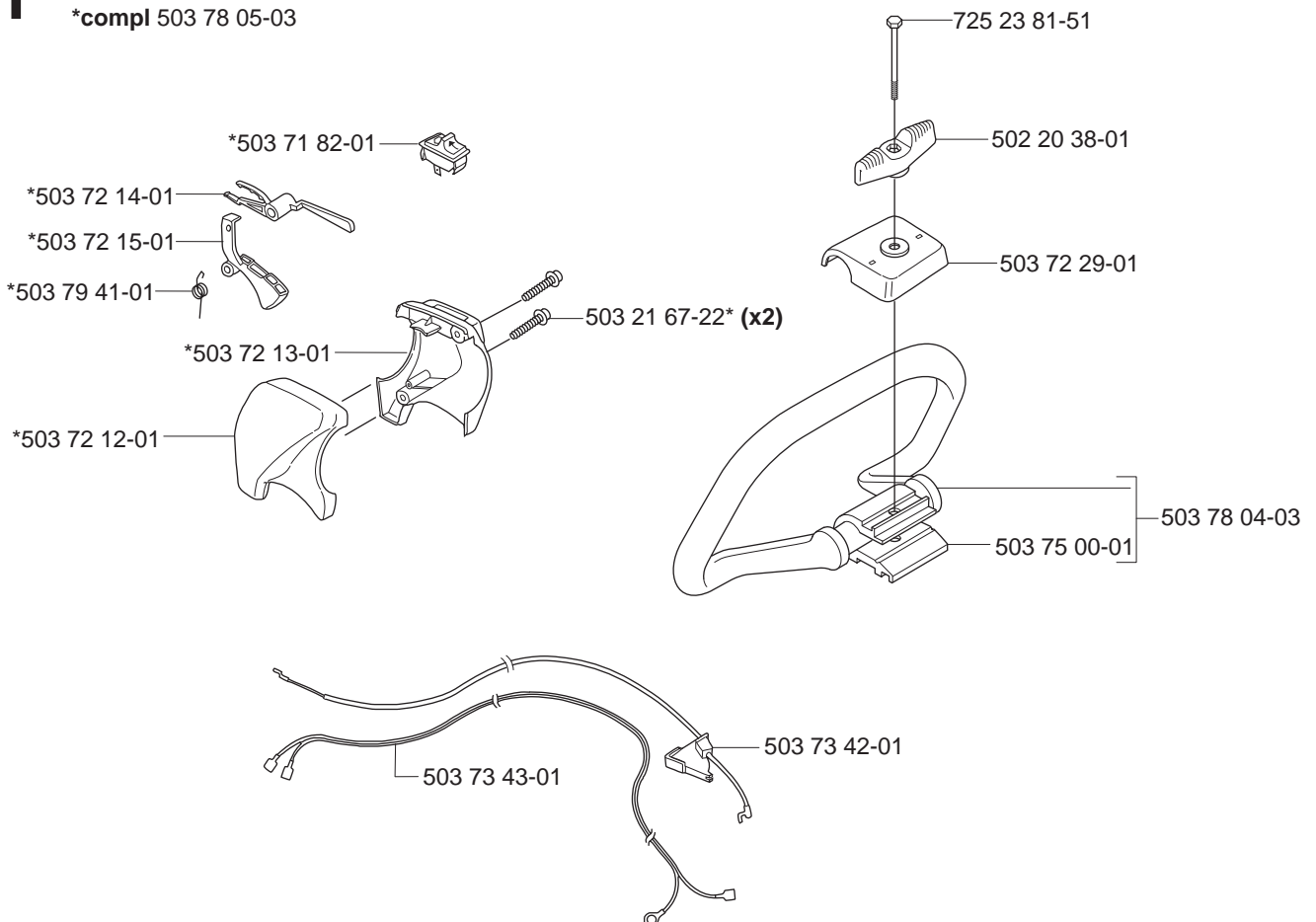
**C 232R**  
\*compl 503 72 43-03



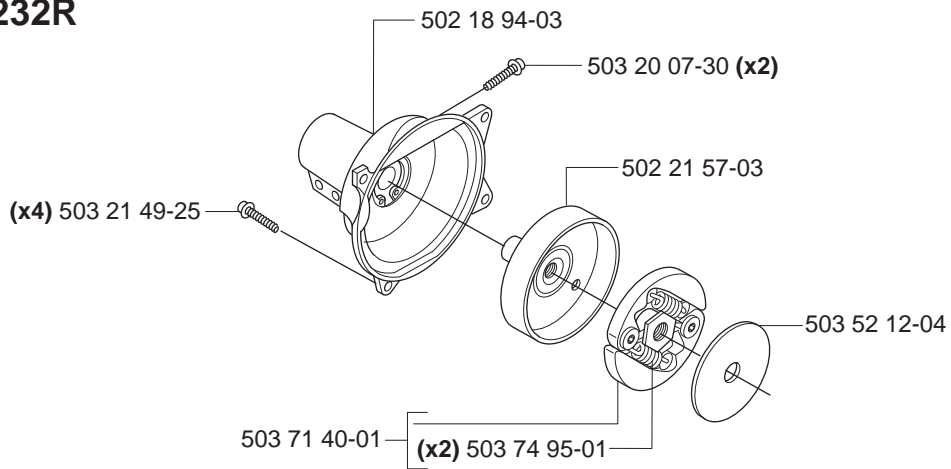
**E 232R**  
\*compl 502 19 58-13



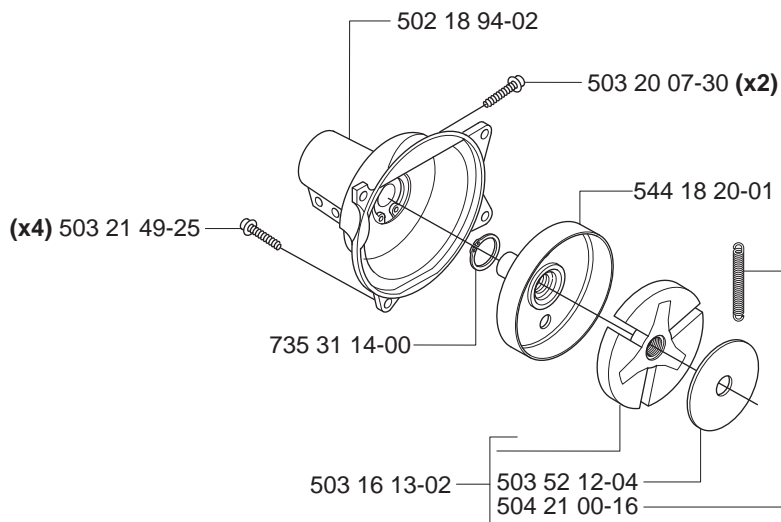
**F 232L**  
\*compl 503 78 05-03



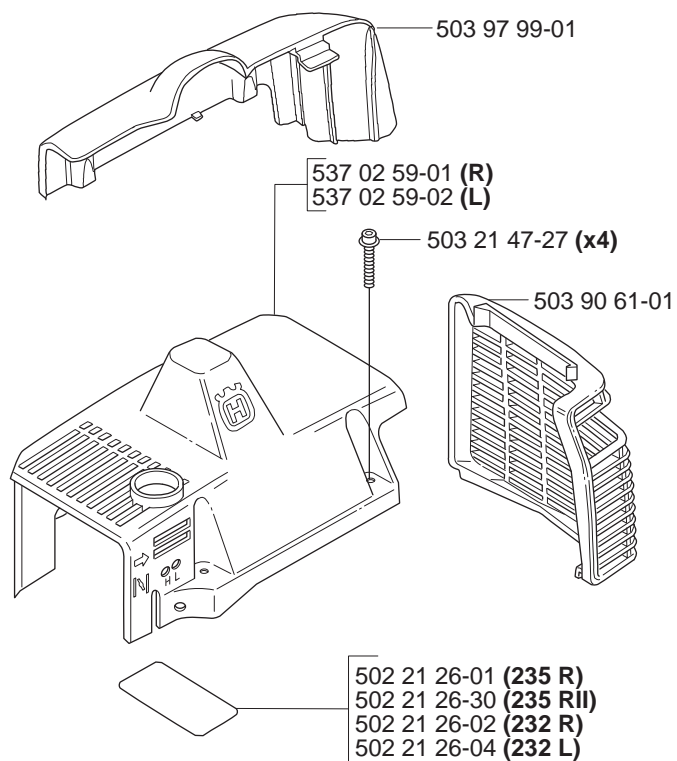
# G 232L, 232R

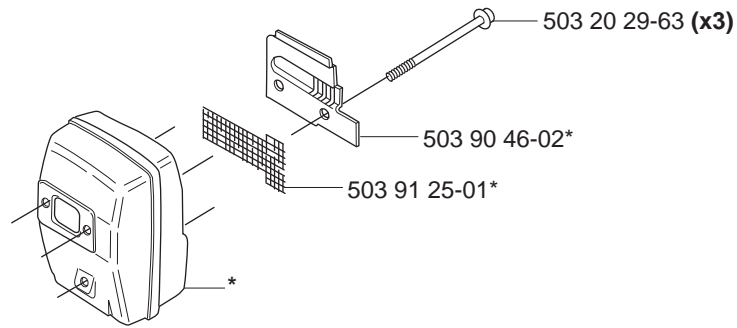
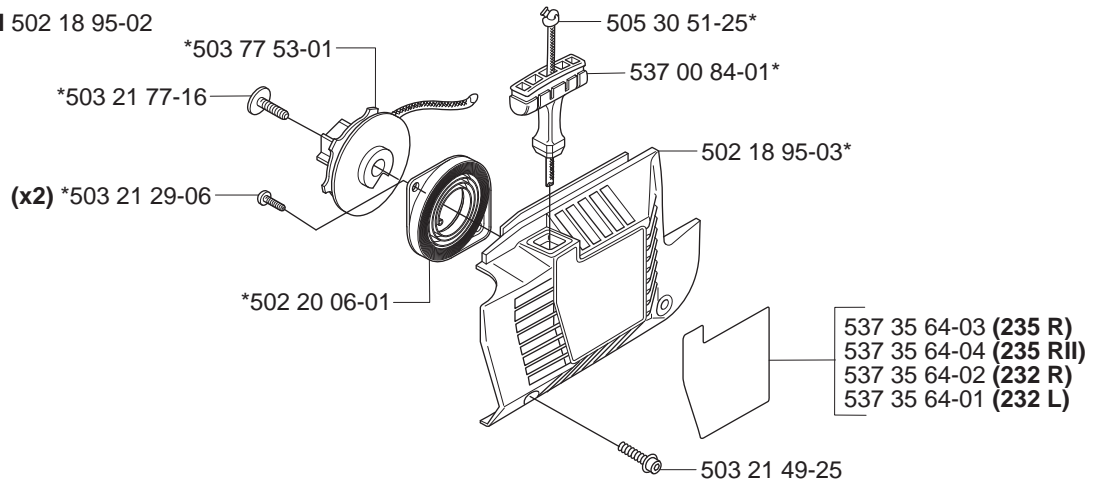
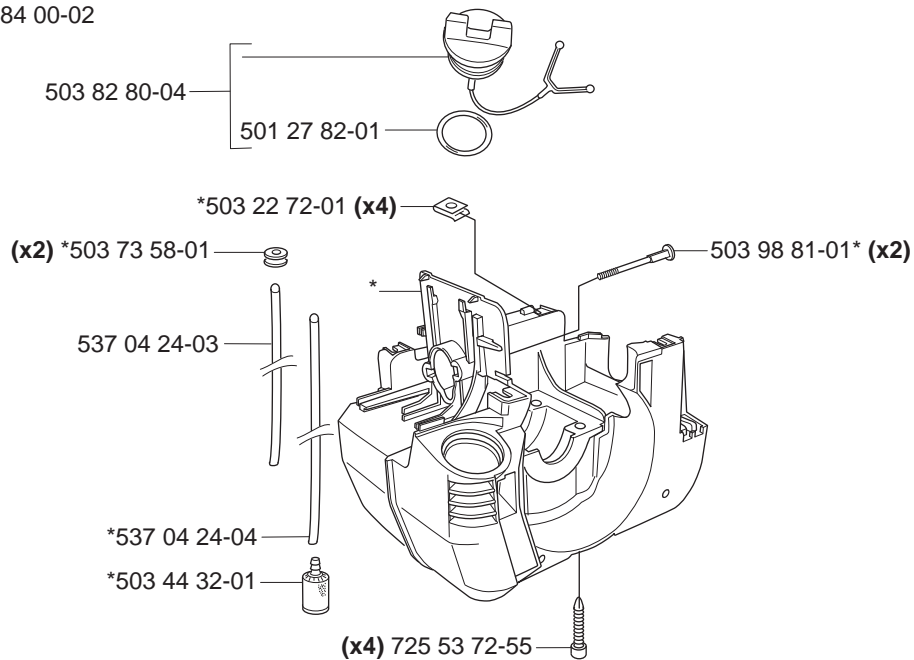
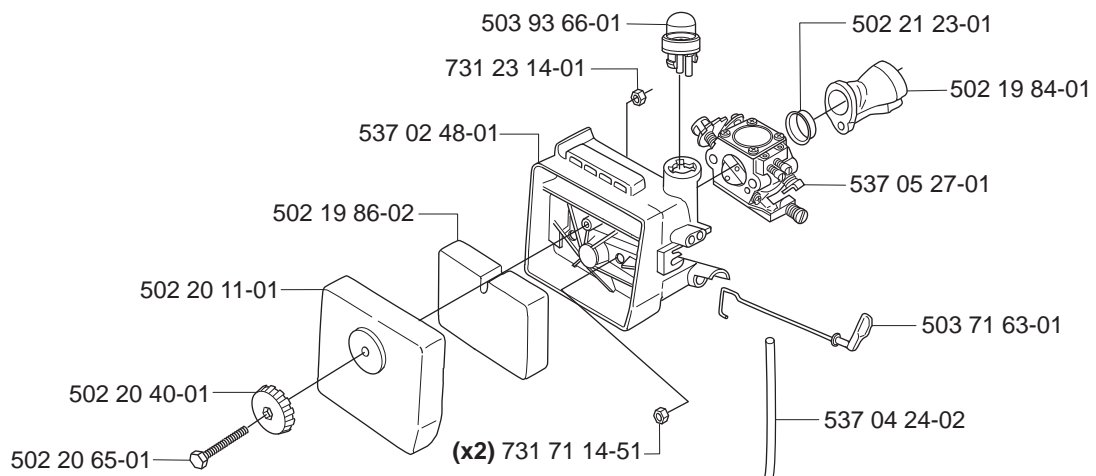


# G 235R, 235RII

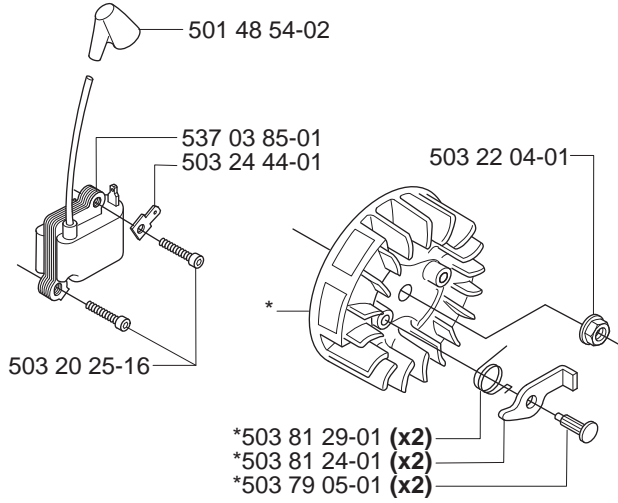


# H

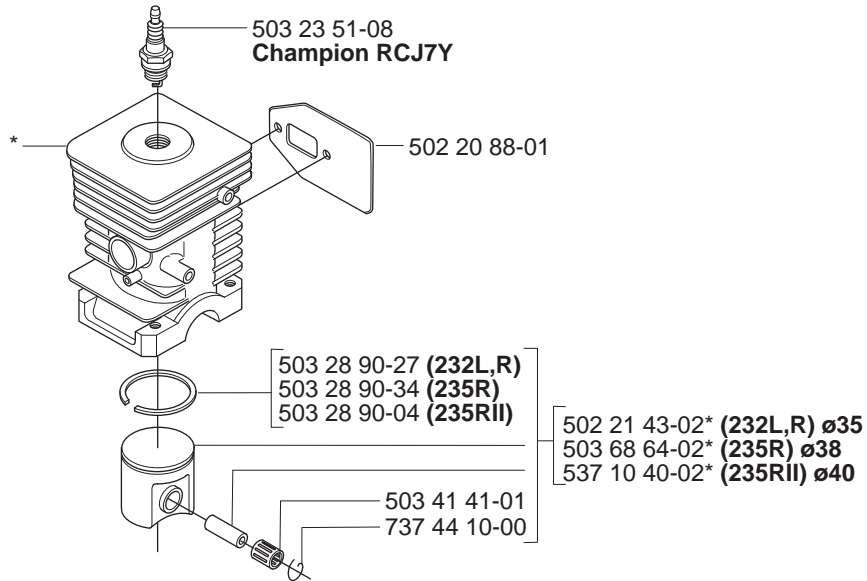


**J****\*compl 503 90 47-02****K****\*compl 502 18 95-02****L****\*compl 503 84 00-02****M**

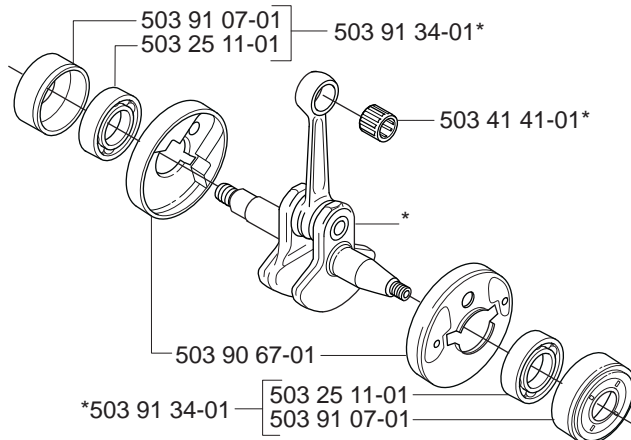
**N** \*compl 503 79 06-01

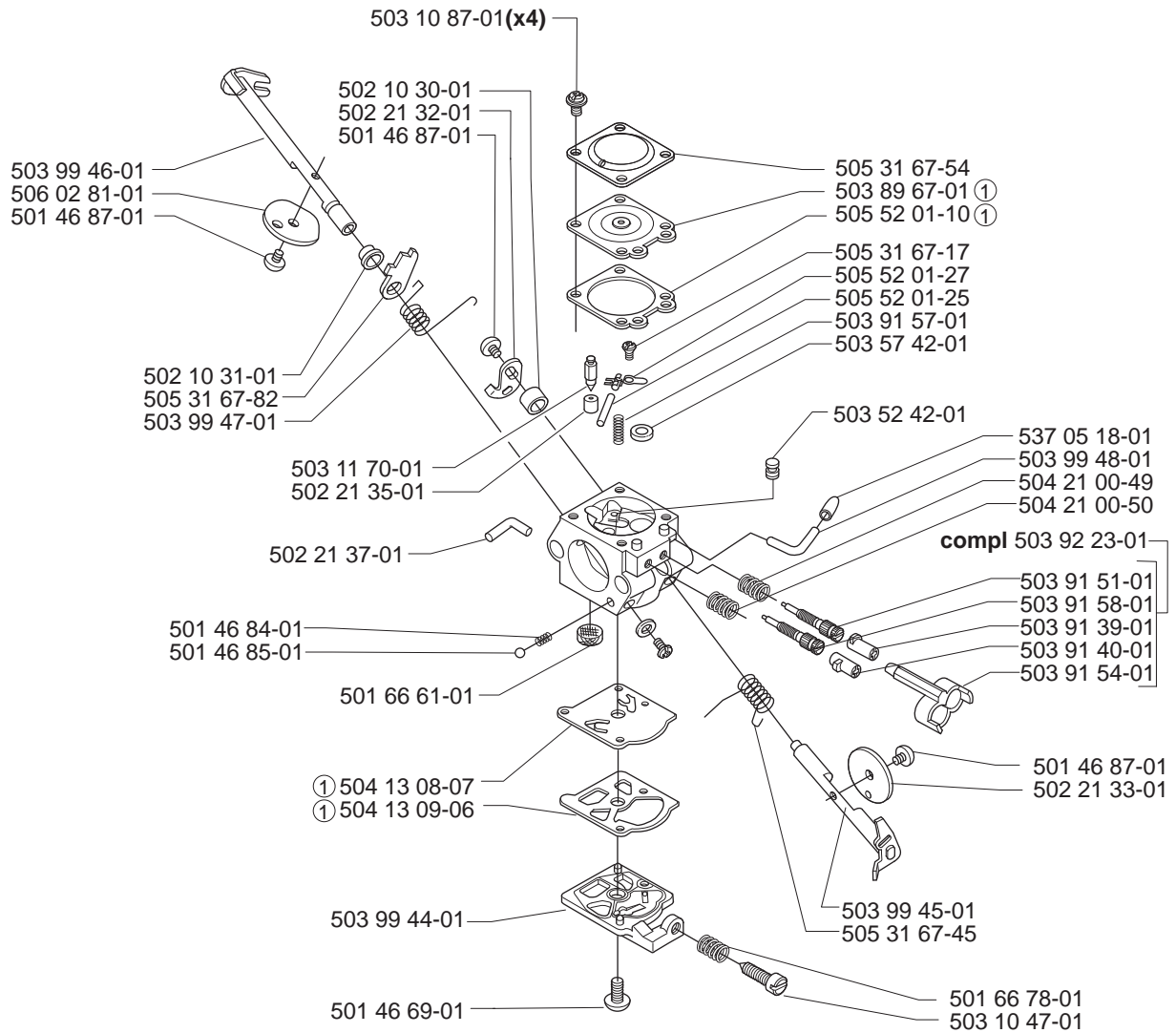


**P** \*compl 503 72 80-01 (232L,R) ø35  
\*compl 503 69 46-01 (235R) ø38  
\*compl 537 10 41-01 (235RII) ø40



**Q** \*compl 502 21 28-04



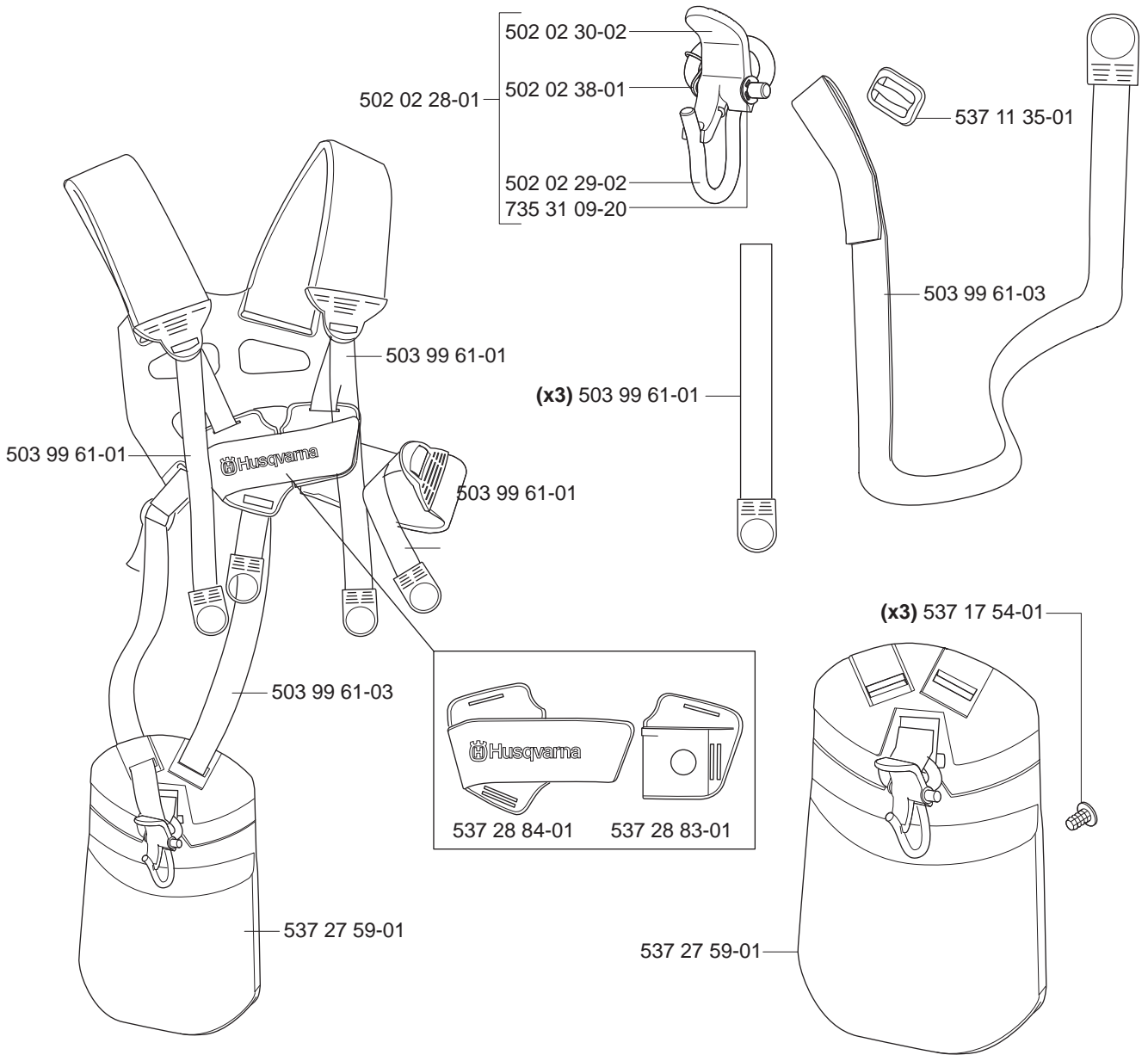


① 530 03 51-73  
**Set of gaskets**  
**Dichtungssatz**  
**Jeu de joints**  
**Juego de juntas**  
**Packningssats**



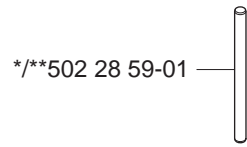
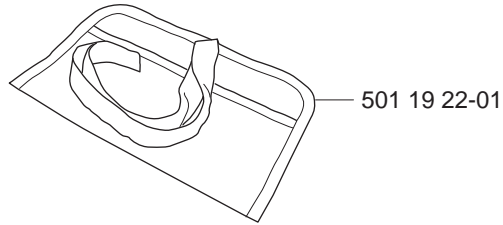
**S**

**Duo Balance**  
compl 537 27 57-01  
compl 537 27 57-03 US



**T Accessories**  
**Zubehöre**  
**Accessoires**  
**Acessorios**  
**Tillbehör**

\*compl 502 21 60-01 (232)  
 \*\*compl 502 21 60-14 (235)



**Oil Airfilter**  
**Öl Luftfilter**  
**Aceite Filtro Air**  
**Huile Filtera aire**  
**Olja Luftfilter**

